



# Sauter GmbH

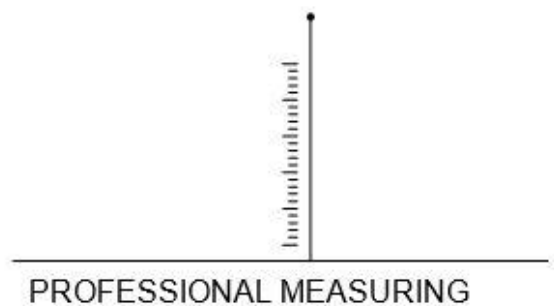
Ziegelei 1  
D-72336 Balingen  
E-Mail: [info@kern-sohn.com](mailto:info@kern-sohn.com)

Tel.: +49-[0]7433- 9933-0  
Fax: +49-[0]7433-9933-149  
Internet: [www.sauter.eu](http://www.sauter.eu)

## Datasheet / Manual

### SAUTER CP P7

V. 1.1  
06/2023  
GB



CP P7-BA-e-2311.docx



# SAUTER CP P7

V. 1.1 06/2023

## Datasheet / Manual

---

---

Summarize:

1	Brief description .....	3
2	Available models.....	3
3	Introduction.....	3
4	Warnings .....	3
5	Warranty .....	4
6	Technical data.....	4
7	Electrical connection.....	5
8	Dimensions in mm.....	5
9	Declaration of Conformity.....	5

## 1 Brief description

- Stainless steel single point load cell
- Protection class IP67 (according to EN 60529)
- RoHS compliant
- Suitable for platform scales, etc.
- Maximum platform size: 400 x 400 mm
- Accuracy class C3 according to OIML R60
- Optional on request: Accuracy class C4

## 2 Available models

Nominal load	Model
30kg	CP 30-3P7
50kg	CP 50-3P7
75kg	CP 75-3P7
100kg	CP 100-3P7
150kg	CP 150-3P7

## 3 Introduction

Please observe the notes in the operating instructions: Read these operating instructions carefully before commissioning, even if you already have experience with SAUTER measuring cells.

After receipt of the measuring cell, it should be checked in advance whether no transport damage has occurred, whether the outer packaging or other parts or even the article itself have been damaged. If any damage is apparent, please notify SAUTER GmbH immediately.

## 4 Warnings

Observe the national accident prevention regulations.

Incorrect use of the measuring cells can lead to serious injuries, death, property damage and personal injury. Use may only be carried out by trained and experienced personnel.

Never load measuring cells above the Emax range (nominal load, max. capacity). Overloaded measuring cells no longer have the required accuracy. Overloaded or deformed measuring cells must not be used any further and must be replaced immediately.

Never step under suspended loads.

Always install overload or breakage protection on your equipment.

Always observe the permissible static and dynamic loads of the accessories used.

Have measuring cells calibrated at regular intervals.

Load the measuring cell only in its specified load direction. Avoid transverse forces.

Regularly check the measuring cells for deformations and cracks.

For measuring cells with 4-wire connection, the characteristic value changes by shortening or lengthening the supplied cable.

## 5 Warranty

The warranty is void in the event of:

- Disregarding the specifications in the operating instructions
- Change or open the measuring cell
- Overload
- Mechanical damage
- Damage due to liquids or media
- Natural wear and tear or abrasion
- Improper setup or electrical installation

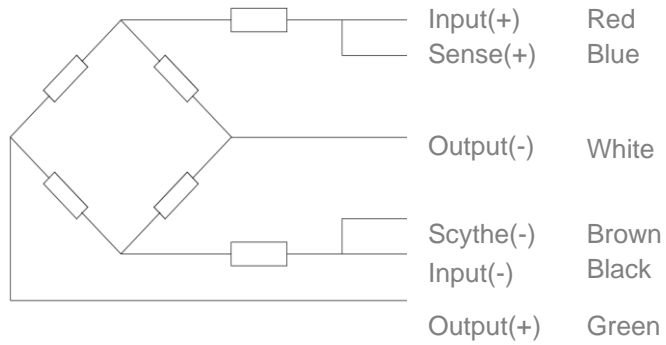
## 6 Technical data

Output sensitivity ( FS )	mV/V	2.0 ± 0.2
Maximum capacity ( Emax )	kg	30, 50, 75, 100, 150
Max.number of load cell intervals	nLC	3000
Ratio of min. LC verification interval	Y = Emax / vmin	10000
Combined Error	%FS	≤± 0.0230
Minimum dead load	Of Emax	0%
Safe overload	of Emax	150 %
Ultimate overload	of Emax	300 %
Zero balance	of FS	< ± 1.5 %
Excitation, recommended voltage	V	5 ~ 12
Excitation maximum	V	18
Input resistance	Ω	384 ± 4
Output resistance	Ω	350 ± 3,5
Insulation resistance	MΩ	≥5000 ( at 50VDC )
Compensated temperature	°C	-10 ~+40
Operating temperature	°C	-35 ~ +65
Storage temperature	°C	-40 ~ +70
Recommended torque on fixation bolts	Nm	M6: 10

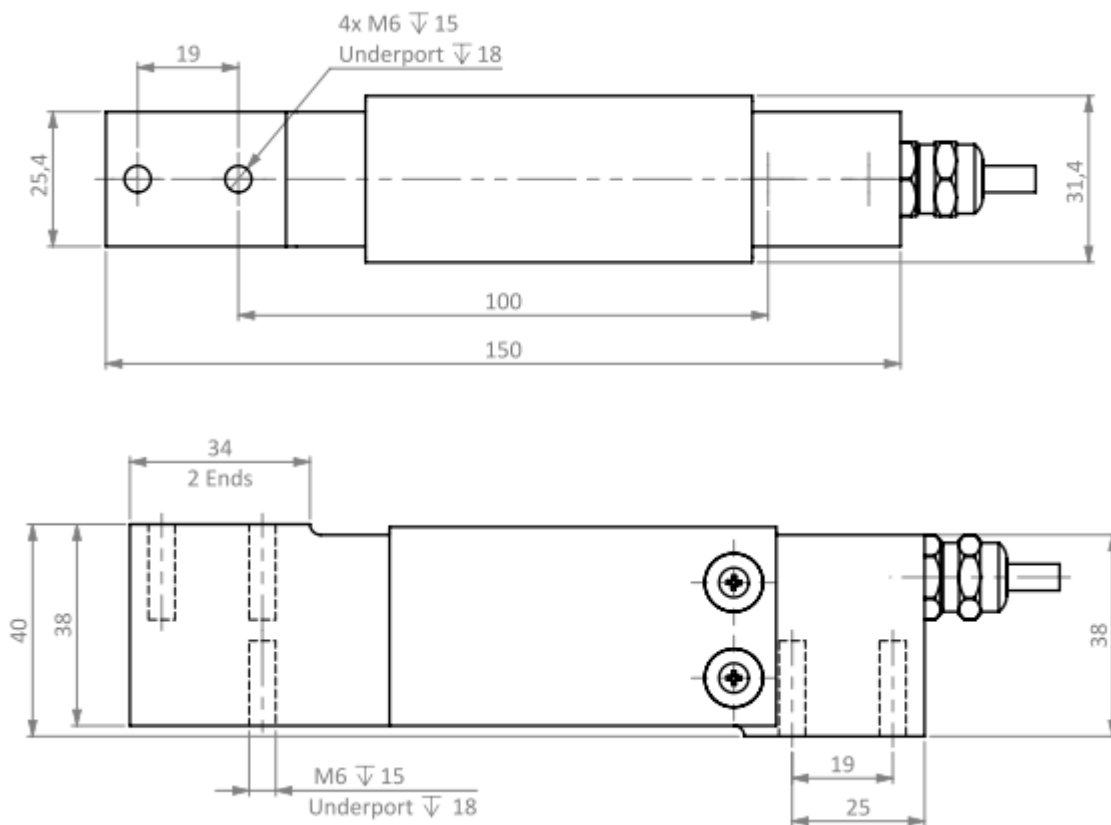
## 7 Electrical connection

Shielded PVC cable, shield not connected to element, cable diameter Ø5mm, standard cable length: 1m

6-wire connection diagram



## 8 Dimensions in mm



## 9 Declaration of Conformity

To view the CE declaration, please click on the following link:

<https://www.kern-sohn.com/shop/de/DOWNLOADS/>