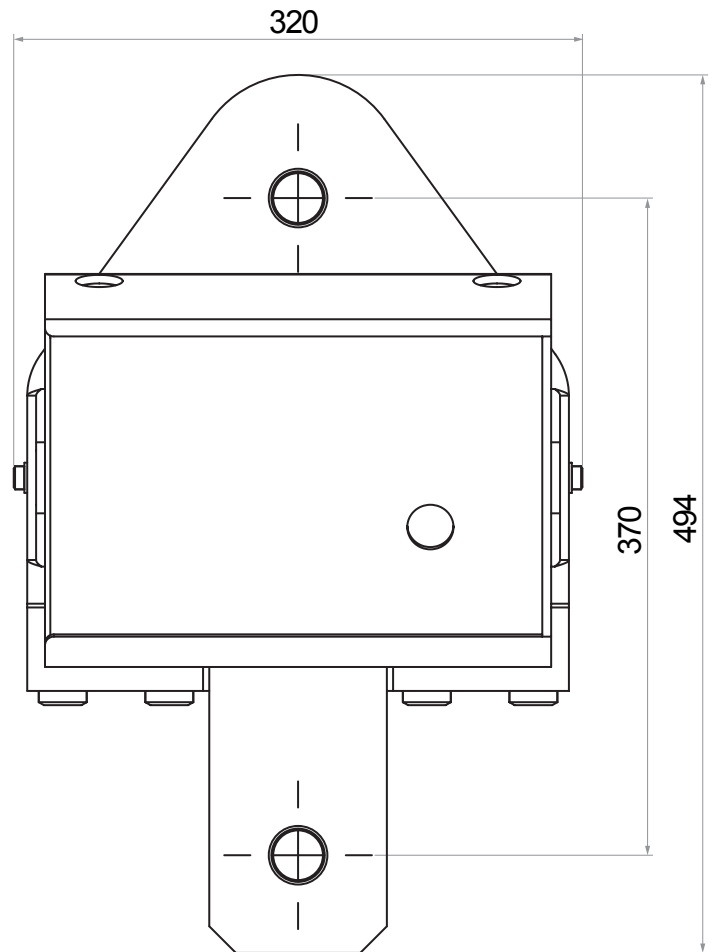
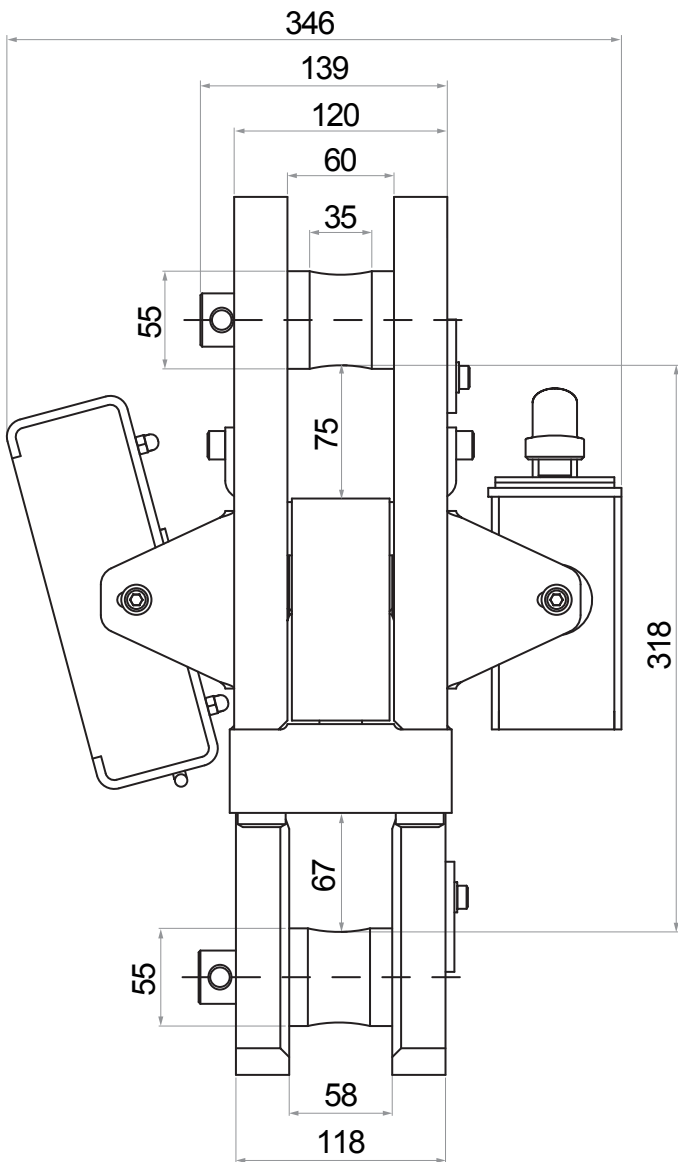


# MCWHU



dimensions in mm