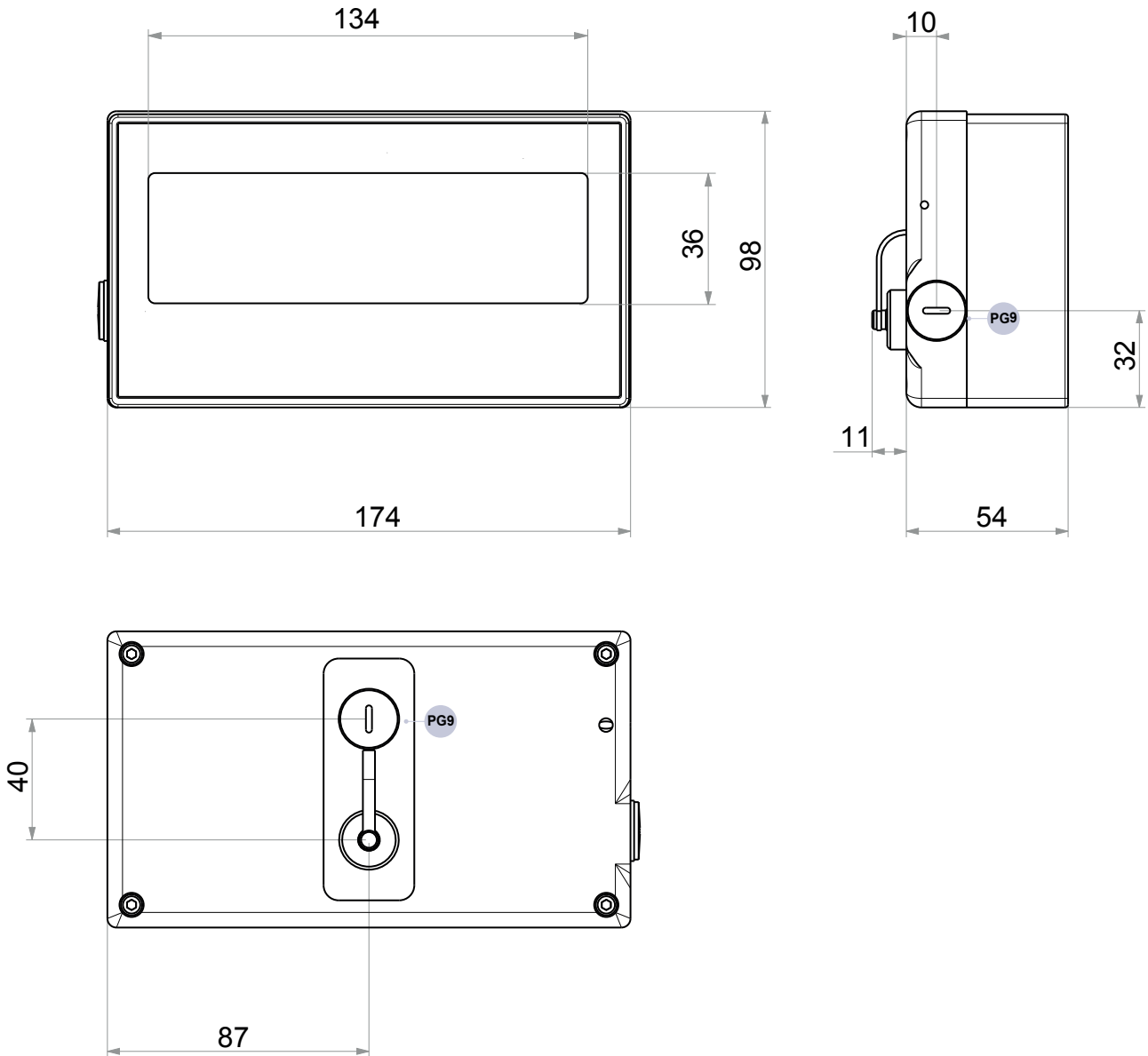


DFWPM



Cable gland	Min. cable \varnothing (mm)	Max. cable \varnothing (mm)	Fastening torque (Nm)
PG9 - metal	4	8	5

dimensions in mm