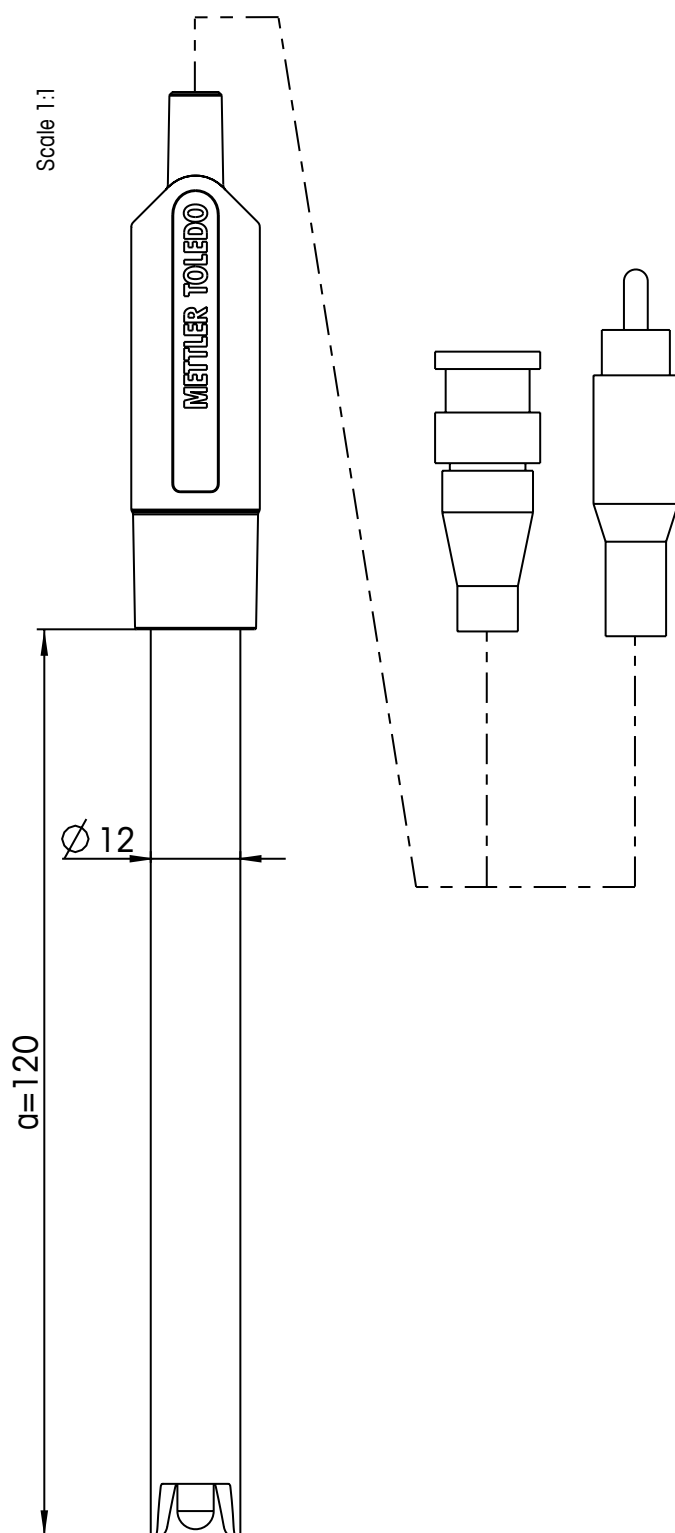


# InLab<sup>®</sup> Expert Pro-ISM

pH Ref °C ISM



For general applications in the lab and outdoor;  
robust and maintenance-free



**Sensor type** combined pH electrode

**Order number** 30014096

### Specifications

pH range 0...14  
zero point (pH) 7.00 ± 0.25

temperature range 0...100 °C  
temperature probe NTC 30 kΩ

shaft material PEEK  
membrane glass U  
membrane resistance < 250 MΩ

reference system ARGENTHAL™  
reference diaphragm double open junction  
reference electrolyte XEROLYT® polymer  
bridge electrolyte -

electrode head -  
cable length 1.2 m  
connector BNC / RCA (Cinch)

cell constant (cm<sup>-1</sup>) -  
cell type -

indicating metal -

### Storage

InLab storage solution (30111142)  
or FRISCOLYT-B® (51340053)