



Sauter GmbH

Ziegelei 1
D-72336 Balingen
E-Mail: info@kern-sohn.com

Tel.: +49-[0]7433- 9933-0
Fax: +49-[0]7433-9933-149
Internet: www.sauter.eu

Data Sheet Junction Box

SAUTER CJ P

V. 1.0
01/2019
GB



PROFESSIONAL MEASURING

CJ P-DB-e-1810



SAUTER CJ P

V. 1.0 01/2019

Data Sheet Junction Box

Summarize:

1	Short description	3
2	Available models.....	3
3	Technical details	3
4	Dimensions in mm.....	4
4.1	CJ P2, CJ P4 and CJ P4PG	4
4.2	CJ P6 and CJ P8	4
5	Certificate of Compliance.....	4

1 Short description

Junction box allows to connect more than one load cell to one device. It is possible for the all Junctions to be used with fewer load cells than for which they are designed. All junctions are fit for 4-wire and 6-wire load cells. The load cells used should be of the same model, capacity and have the same rated output (mV/V).

2 Available models

Model	Amount of connections	Cable inlet	Ingress protection
CJ P2	2	bend relief	IP65
CJ P4	4	bend relief	IP65
CJ P4PG	4	PG screw connection	IP65
CJ P6	6	bend relief	IP65
CJ P8	8	bend relief	IP65

3 Technical details

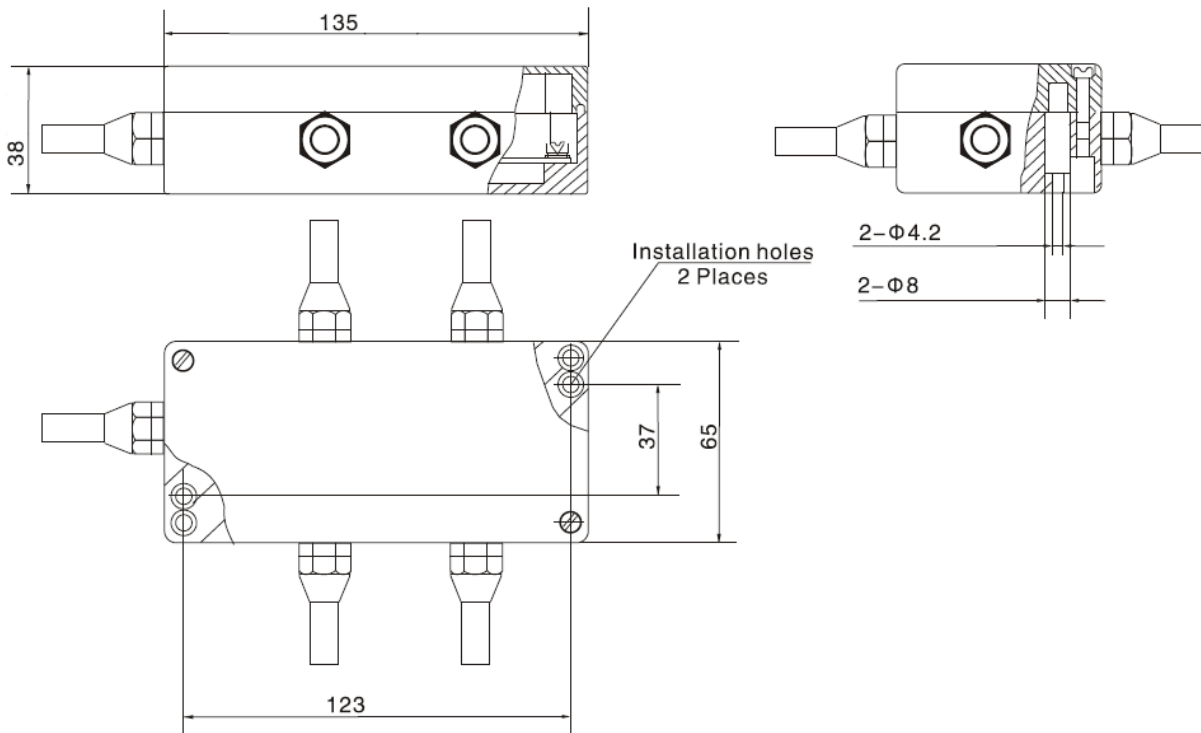
Model		CJ P2, CJ P4, CJ P4PG	CJ P6, CJ P8
Load cell output resistance range	Ω	340 to 1100	
Load cell input resistance range	Ω	340 to 1100	
Excitation, recommended voltage	V	5 to 20	
Max. Excitation	V	30	
Load cell sensitivity range	mV/V	0.6 - 3	0.6 – 6.2
Cable \varnothing	mm	5 to 6.2	
Correction method		Excitation trim	
Trimming range	Ω	24	
Temperature range, operating	$^{\circ}\text{C}$	-40...+85	
Housing connected to shield		Yes	
External grounding		No	Yes

+ EXC	Excitation +
- EXC	Excitation -
+ SIG	Signal +
- SIG	Signal -
+ SEN *	Sense +
- SEN *	Sense -
SHIE	shield

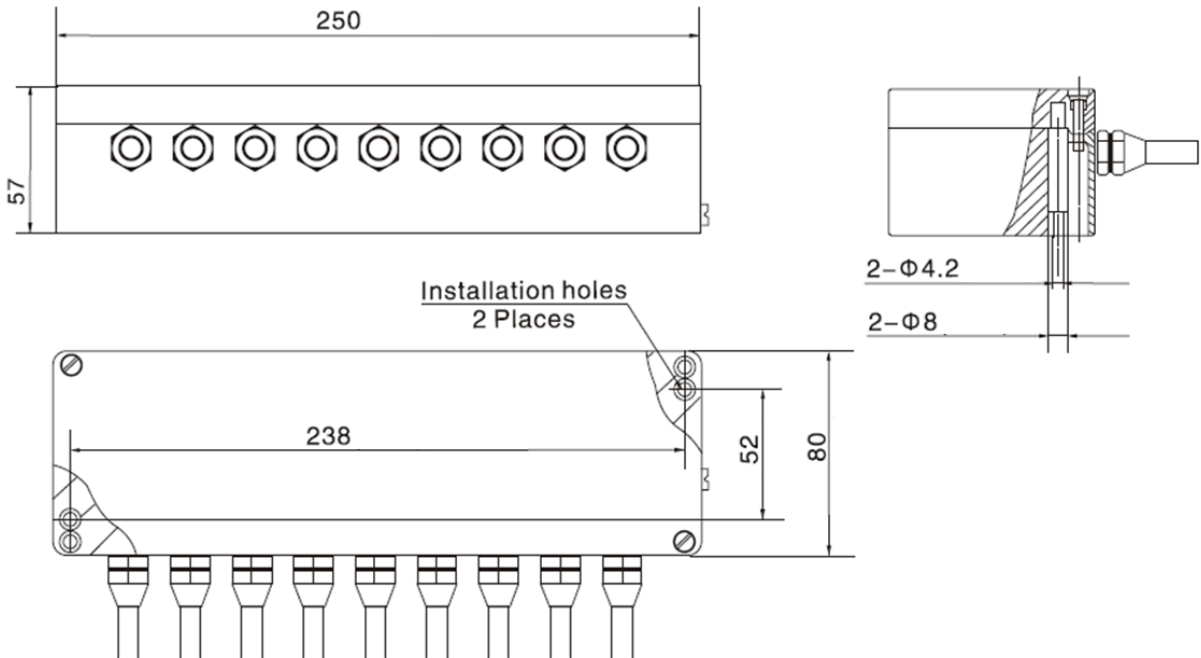
Table 1: load cell and indicator connection (* only Models CJ P6 and CJ P8)

4 Dimensions in mm

4.1 CJ P2, CJ P4 and CJ P4PG



4.2 CJ P6 and CJ P8



5 Certificate of Compliance

To have a look at the CE Declaration of Conformity, please click onto the following link:
<https://www.kern-sohn.com/shop/de/Downloads>