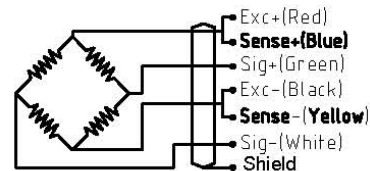
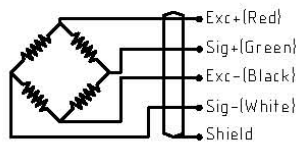
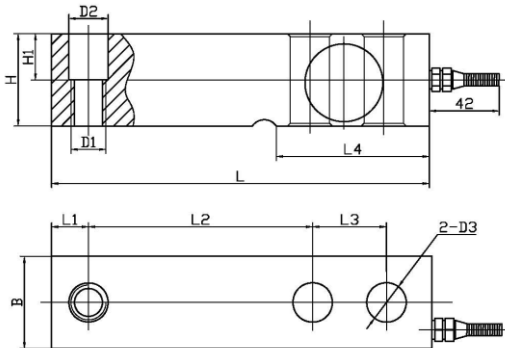


KPZ 502E-3, Scherstab-Wägezelle, legierter Stahl, IP68

Shear beam load cell, alloy steel, IP68



1000kg - 5000kg



Abmessungen / dimensions:

Kapazität / capacity		L	H	B	L1	L2	L3	L4	D3	H1	D2	D1
1000 – 2.500kg	mm	130,0	31,8	31,8	12,7	76,2	25,4	53,5	13,0	20,0	13,5	M 12 x 1,50
3.000 - 5000kg	mm	171,5	38,1	38,1	19,0	95,3	38,1	72,5	20,0	26	20,0	M 18 x 1,50

Technische Daten / specification:

Emax	t	1	1.5	2	2.5	3	5
Vmin	kg	0.1	0.15	0.2	0.25	0.3	0.5
Emin	kg	0					
Dmin	kg	0					
Humidity Classification		CH					
Accuracy class		C3					
Zero balance	%F.S	±1					
Rated output	mV/V	3.0±0.0.003					
Y parameter		10000					
Z parameter		3000					
Resistance Input	Ω	400±10					
Output	Ω	352±3					
Insulation	MΩ	≥5000					
Safe load limit	%F.S	150					
Lateral load limit	%F.S	180					
Recommend excitaion	V.DC	10					
Maximum excitaion	V.DC	15					
Protection class		IP68					
Construction		Alloy steel					
Operating Temp Range	°C	-10~40					
Cable length	m	As per customers' requirements					